



Fire alarm systems

Analog base

3312F / FL

- Common base for the different analog detectors
- Fast connectors
- Label holder recess

Common base

The analog base 3312F / FL is connected to a COM loop. Analog heat, smoke and multi detector types 33xx / 43xx can be plugged in the base. (See Product Leaflet for the detector type respectively, for type of base.)

Fast connectors

3312F has fast connectors (blue) for the COM loop (in/out). 3312FL also has fast connectors (grey) for an external indicator (LED), e.g. 2218.

Label holder

A label holder could be mounted in the base (in the label holder recess). The label holder is intended for a label showing "zone-address" or "technical number" information, which can be read also when the detector is plugged in the base.

Miscellaneous

The base has an address label (A1) where the detector's COM loop address is to be written.

Individual fault signal is obtained if wrong type of detector (compared with the programming) is plugged in the base or if the detector is unplugged.

When a detector with a locking screw is plugged in the base, the detector can be locked in its base to prevent theft.

The position of the detector's built-in LED is marked in the base for correct mounting position of the base.

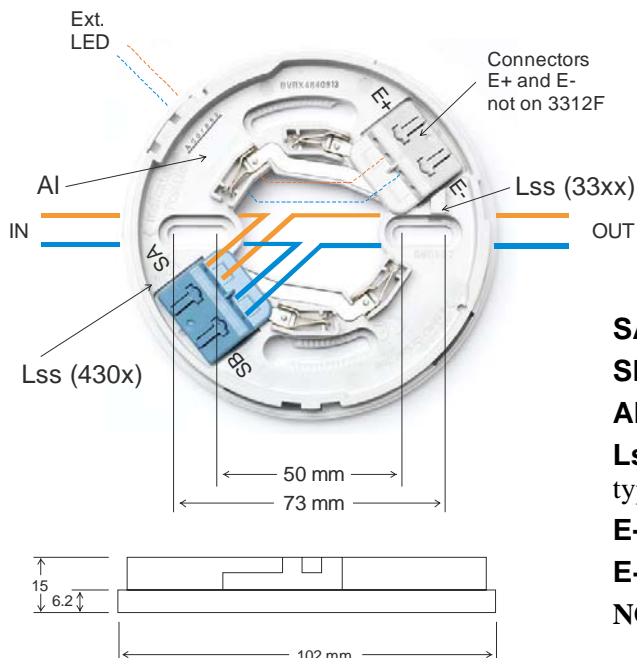
For more information regarding detector types, connections, etc. see Planning Instructions and connection diagrams for the system respectively.

Product applications

Used for analog detectors in the systems **EBL512 / 128 / 1000 / 2000**.

The base is intended for indoor use and in dry premises.

Type number	
3312F	Analog base with fast connectors (blue) for the COM loop.
3312FL	Analog base with fast connectors (blue) for the COM loop and fast connectors (grey) for one ext. LED (e.g. 2218).
3390	Label holder (100 holders per packet, excl. labels)
3391	Labels for 3390 (10 sheets à 132 labels)



- SA** Fast connector for COM loop (in/out)
- SB** Fast connector for COM loop (in/out)
- AI** Address Label
- Lss** Locking screw stopper (for detector type 33xx and 430x respectively)
- E-** Fast connector for external LED
- E+** Fast connector for external LED
- NOTE!** **E-** and **E+** on 3312FL only.

The base is prepared for mechanical locking of the detector, when a detector with a locking screw is plugged into the base. Connector wire \varnothing 0.6 – 1.2 mm (approx. 0.28 – 1.13 mm²). If wire \varnothing 0.6 mm is used the release button may be pushed as the wire is pressed into the connector. Analog detector types 33xx and 43xx can be plugged in the base 3312F / FL.

Technical data	
Voltage (V DC)	
Rated	28
allowed	12-30
normal	24 (COM loop voltage)
Current consumption at nom. volt. from COM loop (mA)	Depending on the type of detector that is plugged into the base.
quiescent (base only)	0
active (base only)	0
Ext. LED connectors (3312FL only)	Depending on the detector plugged in the base. Normally:
voltage (V)	5
max. current output (mA)	2
Ambient temperature (°C)	
Operating	-10 to +50
storage	-20 to +70
Ambient humidity (% RH)	max. 95, non condensing
Ingress Protection rating (estimated)	IP51
Size \varnothing x H (mm)	102 x 15
Weight 3312F / 3312FL (g)	41 / 47
Construction / Colour	ABS / Grey (N8, Munsell colour code)
Approvals	CE; Conforms with EN54-5 and -7 (when applicable)

All technical features and data are subject to changes without notice, resulting from continuous development and improvement.

Product Leaflet	Date of issue	Revision / Date of revision
MEW01119	2008-09-19	